

PARTS LIST

CAUTION

- The parts identified by the \triangle symbol are important for the safety. Whenever replacing these parts, be sure to use specified ones to secure the safety.
- The parts not indicated in this Parts List and those which are filled with lines — in the Parts No. columns will not be supplied.
- P. W. Board Ass'y will not be supplied, but those which are filled with the Parts No. in the Parts No. columns will be supplied.

ABBREVIATIONS OF RESISTORS, CAPACITORS AND TOLERANCES

| RESISTORS | | CAPACITORS | |
|-----------|--|----------------|--------------------------------------|
| C R | Carbon Resistor | C CAP. | Ceramic Capacitor |
| F R | Fusible Resistor | E CAP. | Electrolytic Capacitor |
| P R | Plate Resistor | M CAP. | Mylar Capacitor |
| V R | Variable Resistor | HV CAP. | High Voltage Capacitor |
| HV R | High Voltage Resistor | MF CAP. | Metalized Film Capacitor |
| MF R | Metal Film Resistor | MM CAP. | Metalized Mylar Capacitor |
| MG R | Metal Glazed Resistor | MP CAP. | Metalized Polystyrol Capacitor |
| MP R | Metal Plate Resistor | PP CAP. | Polypropylene Capacitor |
| OM R | Metal Oxide Film Resistor | PS CAP. | Polystyrol Capacitor |
| CMF R | Coating Metal Film Resistor | TF CAP. | Thin Film Capacitor |
| UNF R | Non-Flammable Resistor | MPP CAP. | Metalized Polypropylene Capacitor |
| CH V R | Chip Variable Resistor | TAN. CAP. | Tantalum Capacitor |
| CH MG R | Chip Metal Glazed Resistor | CH C CAP. | Chip Ceramic Capacitor |
| COMP. R | Composition Resistor | BP E CAP. | Bi-Polar Electrolytic Capacitor |
| LPTC R | Linear Positive Temperature Coefficient Resistor | CH AL E CAP. | Chip Aluminum Electrolytic Capacitor |
| NETW R | Network Resistor | CH AL BP CAP. | Chip Aluminum Bi-Polar Capacitor |
| | | CH TAN. E CAP. | Chip Tantalum Electrolytic Capacitor |

| TOLERANCES | | | | | | | | | |
|------------|-----|-----|------|------|------|------|------|------|-------|
| F | G | J | K | M | N | R | H | Z | P |
| ±1% | ±2% | ±5% | ±10% | ±20% | ±30% | +30% | +50% | +80% | +100% |
| | | | | | | -10% | -10% | -20% | -0% |

CONTENTS

- P.W. BOARDS 28
- EXPLODED VIEW PARTS LIST 28
- EXPLODED VIEW 29
- PRINTED WIRING BOARD PARTS LIST
 - MAIN PW BOARD ASS'Y 30
- PACKING / PACKING PARTS LIST 35
- REMOTE CONTROL UNIT PARTS LIST 35

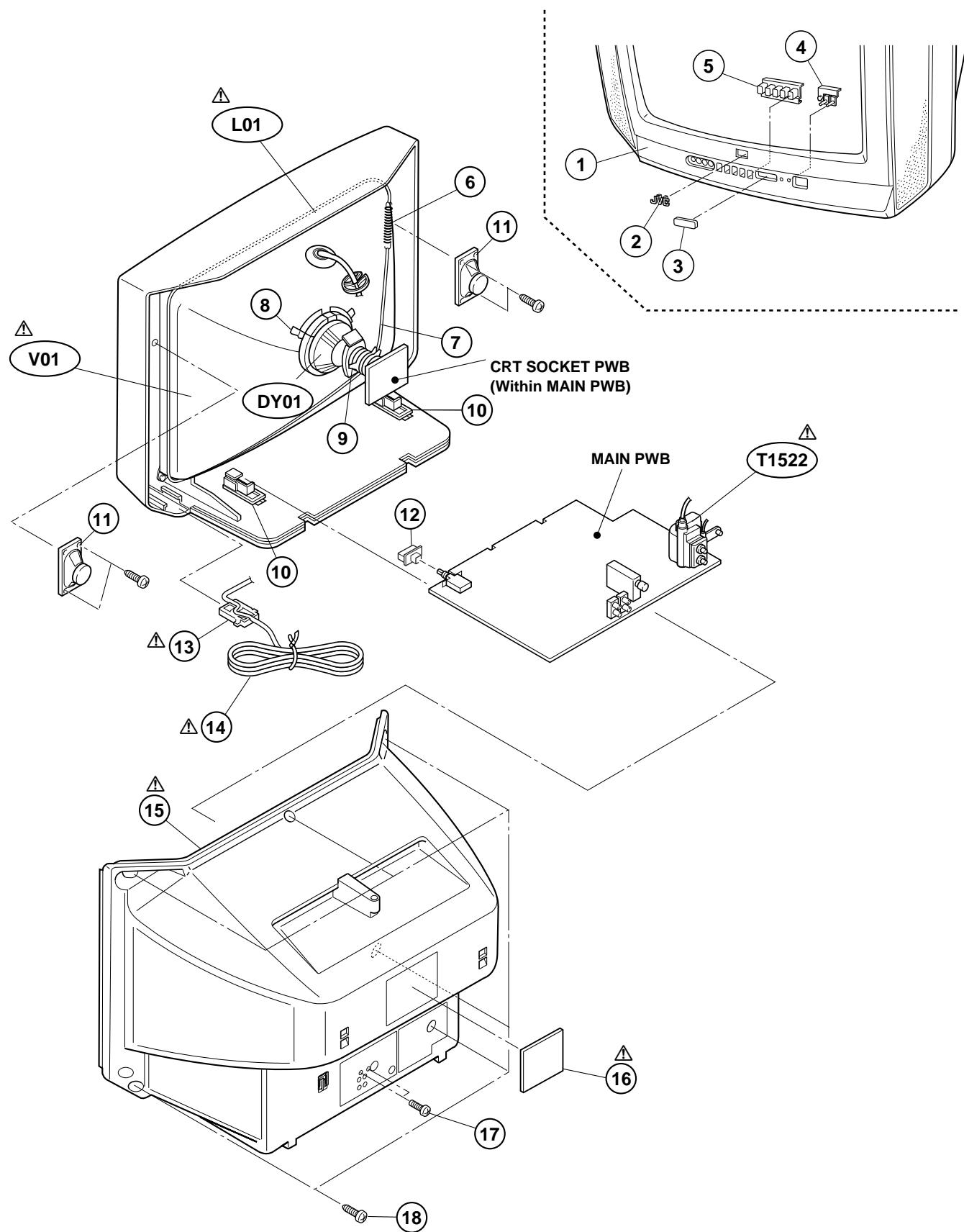
P.W. BOARDS

| P.W.B. ASS'Y | PART NO. |
|--------------|--------------|
| MAIN P.W.B. | SGA-1049A-H2 |

EXPLODED VIEW PARTS LIST

| △ Ref.No. | Part No. | Part Name | Description | Local |
|-----------|-----------------|---------------|-------------------|-------|
| △ V01 | A48KXR064X | PICTURE TUBE | | |
| △ L01 | QQW0061-001 | DEG COIL | | |
| | DY01 | QQD0032-001 | DEFLECTION YOKE | |
| △ T1522 | QQH0030-002 | H.V. TRANSF. | | |
| 1 | LC10438-017A-HK | FRONT CABINET | | |
| 2 | CM48006-007-C | JVC MARK | | |
| 3 | LC30664-001B-H | E.E. WINDOW | | |
| 4 | LC30665-001A-H | REMOCON LENS | | |
| 5 | LC20318-003A-H | CONTROL KNOB | | |
| 6 | A48457-4-S | SPRING | | |
| 7 | WJY0008-002A | BRAIDED ASS'Y | | |
| 8 | CE40764-00A | WEDGE ASSY | (x3) | |
| 9 | A75034-B | PC MAGNET | | |
| 10 | CM36623-B01-H | CHASSIS RAIL | (x2) | |
| 11 | CEBSS12D-07KJ2 | SPEAKER | (x2) SP01 | |
| 12 | LC30663-003A-H | POWER KNOB | | |
| △ 13 | CM47005-A01-H | CORD CLAMP | | |
| △ 14 | QMPR010-200-E2 | POWER CORD | or QMPR010-200-K2 | |
| △ 15 | LC10448-003A-HK | REAR COVER | | |
| △ 16 | GG20003-003A-H | RATING LABEL | | |
| 17 | QYSBSF3010Z | TAP SCREW | (x2) | |
| 18 | QYSBSFG4016Z | TAPPING SCREW | (x6) | |

EXPLODED VIEW



PRINTED WIRING BOARD PARTS LIST

MAIN P.W. BOARD ASS'Y (SGA-1049A-H2)

| Symbol No. | Part No. | Part Name | Description | Local | Symbol No. | Part No. | Part Name | Description | Local |
|-----------------|--------------|-----------|-------------|-------|-----------------|---------------|-----------|-------------|-------|
| RESISTOR | | | | | RESISTOR | | | | |
| R1001 | NRSA02J-563X | CH MG R | 56kΩ 1/10W | J | R1368 | NRSA02J-272X | CH MG R | 2.7kΩ 1/10W | J |
| R1003 | NRSA02J-0ROX | CH MG R | 0.0Ω 1/10W | J | R1401 | NRSA02J-103X | CH MG R | 10kΩ 1/10W | J |
| R1004 | NRSA02J-0ROX | CH MG R | 0.0Ω 1/10W | J | R1402 | NRSA02J-682X | CH MG R | 6.8kΩ 1/10W | J |
| R1005 | QRT029J-4R7 | MF R | 4.7Ω 2W | J | R1403 | NRSA02J-0ROX | CH MG R | 0.0Ω 1/10W | J |
| R1006 | NRSA02J-820X | CH MG R | 82Ω 1/10W | J | R1404 | NRSA02J-102X | CH MG R | 1kΩ 1/10W | J |
| R1101 | NRSA02J-562X | CH MG R | 5.6kΩ 1/10W | J | R1405 | NRSA02J-221X | CH MG R | 220Ω 1/10W | J |
| R1102 | NRSA02J-182X | CH MG R | 1.8kΩ 1/10W | J | R1406 | NRSA02J-472X | CH MG R | 4.7kΩ 1/10W | J |
| R1103 | QRE121J-101Y | C R | 100Ω 1/2W | J | R1407 | NRSA02J-472X | CH MG R | 4.7kΩ 1/10W | J |
| R1104 | NRSA02J-100X | CH MG R | 10Ω 1/10W | J | R1408 | NRSA02J-472X | CH MG R | 4.7kΩ 1/10W | J |
| R1105 | NRSA02J-270X | CH MG R | 27Ω 1/10W | J | R1410 | NRSA02J-0ROX | CH MG R | 0.0Ω 1/10W | J |
| R1111 | NRSA02J-394X | CH MG R | 390kΩ 1/10W | J | R1413 | QRE121J-391Y | C R | 390Ω 1/2W | J |
| R1112 | NRSA02J-334X | CH MG R | 330kΩ 1/10W | J | R1414 | QRX01GJ-1R2 | MF R | 1.2Ω 1W | J |
| R1113 | NRSA02J-101X | CH MG R | 100Ω 1/10W | J | R1416 | NRSA02J-563X | CH MG R | 56kΩ 1/10W | J |
| R1116 | NRSA02J-151X | CH MG R | 150Ω 1/10W | J | R1418 | NRSA02J-563X | CH MG R | 56kΩ 1/10W | J |
| R1131 | NRSA02J-102X | CH MG R | 1kΩ 1/10W | J | R1419 | NRSA02J-223X | CH MG R | 22kΩ 1/10W | J |
| R1132 | NRSA02J-331X | CH MG R | 330Ω 1/10W | J | R1421 | NRSA02J-0ROX | CH MG R | 0.0Ω 1/10W | J |
| R1133 | NRSA02J-102X | CH MG R | 1kΩ 1/10W | J | R1422 | NRSA02J-0ROX | CH MG R | 0.0Ω 1/10W | J |
| R1134 | NRSA02J-271X | CH MG R | 270Ω 1/10W | J | R1423 | NRSA02J-103X | CH MG R | 10kΩ 1/10W | J |
| R1135 | NRSA02J-471X | CH MG R | 470Ω 1/10W | J | R1501 | NRSA02J-0ROX | CH MG R | 0.0Ω 1/10W | J |
| R1161 | NRSA02J-182X | CH MG R | 1.8kΩ 1/10W | J | R1503 | NRSA02J-103X | CH MG R | 10kΩ 1/10W | J |
| R1162 | NRSA02J-332X | CH MG R | 3.3kΩ 1/10W | J | R1504 | NRSA02J-104X | CH MG R | 100kΩ 1/10W | J |
| R1163 | NRSA02J-103X | CH MG R | 10kΩ 1/10W | J | R1505 | NRSA02J-822X | CH MG R | 8.2kΩ 1/10W | J |
| R1164 | NRSA02J-102X | CH MG R | 1kΩ 1/10W | J | R1506 | NRSA02J-102X | CH MG R | 1kΩ 1/10W | J |
| R1165 | NRSA02J-273X | CH MG R | 27kΩ 1/10W | J | R1510 | NRSA02J-0ROX | CH MG R | 0.0Ω 1/10W | J |
| R1166 | NRSA02J-103X | CH MG R | 10kΩ 1/10W | J | R1512 | NRSA02J-103X | CH MG R | 10kΩ 1/10W | J |
| R1167 | NRSA02J-102X | CH MG R | 1kΩ 1/10W | J | R1513 | NRSA02J-0ROX | CH MG R | 0.0Ω 1/10W | J |
| R1168 | NRSA02J-101X | CH MG R | 100Ω 1/10W | J | R1514 | NRSA02J-333X | CH MG R | 33kΩ 1/10W | J |
| R1169 | NRSA02J-561X | CH MG R | 560Ω 1/10W | J | R1521 | QRL039J-562 | OM R | 5.6kΩ 3W | J |
| R1170 | NRSA02J-123X | CH MG R | 12kΩ 1/10W | J | R1523 | NRSA02J-222X | CH MG R | 2.2kΩ 1/10W | J |
| R1171 | NRSA02J-153X | CH MG R | 15kΩ 1/10W | J | R1524 | QRE121J-103Y | C R | 10kΩ 1/2W | J |
| R1201 | NRSA02J-821X | CH MG R | 820Ω 1/10W | J | R1526 | QRL029J-152 | OM R | 1.5kΩ 2W | J |
| R1202 | NRSA02J-102X | CH MG R | 1kΩ 1/10W | J | R1529 | NRSA02J-621X | CH MG R | 620Ω 1/10W | J |
| R1203 | NRSA02J-821X | CH MG R | 820Ω 1/10W | J | R1532 | QRL039J-562 | OM R | 5.6kΩ 3W | J |
| R1204 | NRSA02J-681X | CH MG R | 680Ω 1/10W | J | R1533 | QRE121J-220Y | C R | 22Ω 1/2W | J |
| R1205 | NRSA02J-152X | CH MG R | 1.5kΩ 1/10W | J | R1543 | QRT039J-R47 | MF R | 0.47Ω 3W | J |
| R1213 | NRSA02J-391X | CH MG R | 390Ω 1/10W | J | R1544 | QRL039J-223 | OM R | 22kΩ 3W | J |
| R1215 | NRSA02J-824X | CH MG R | 820kΩ 1/10W | J | R1562 | QRA14CF-6801Y | MF R | 6.8kΩ 1/4W | F |
| R1216 | NRSA02J-0ROX | CH MG R | 0.0Ω 1/10W | J | R1563 | QRA14CF-3741Y | MF R | 3.74kΩ 1/4W | F |
| R1217 | NRSA02J-684X | CH MG R | 680kΩ 1/10W | J | R1581 | QRE121J-333Y | C R | 33kΩ 1/2W | J |
| R1220 | NRSA02J-0ROX | CH MG R | 0.0Ω 1/10W | J | R1582 | QRE121J-393Y | C R | 39kΩ 1/2W | J |
| R1251 | NRSA02J-750X | CH MG R | 75Ω 1/10W | J | R1584 | QRE121J-223Y | C R | 22kΩ 1/2W | J |
| R1253 | NRSA02J-680X | CH MG R | 68Ω 1/10W | J | R1601 | QRE121J-1R0Y | C R | 1.0kΩ 1/2W | J |
| R1254 | QRE121J-101Y | C R | 100Ω 1/2W | J | R1605 | NRSA02J-473X | CH MG R | 47kΩ 1/10W | J |
| R1255 | NRSA02J-101X | CH MG R | 100Ω 1/10W | J | R1606 | NRSA02J-103X | CH MG R | 10kΩ 1/10W | J |
| R1301 | NRSA02J-102X | CH MG R | 1kΩ 1/10W | J | R1607 | NRSA02J-471X | CH MG R | 470Ω 1/10W | J |
| R1303 | NRSA02J-223X | CH MG R | 22kΩ 1/10W | J | R1608 | NRSA02J-562X | CH MG R | 5.6kΩ 1/10W | J |
| R1304 | NRSA02J-223X | CH MG R | 22kΩ 1/10W | J | R1609 | QRE121J-271Y | C R | 270Ω 1/2W | J |
| R1307 | NRSA02J-103X | CH MG R | 10kΩ 1/10W | J | R1610 | QRE121J-271Y | C R | 270Ω 1/2W | J |
| R1308 | NRSA02J-472X | CH MG R | 4.7kΩ 1/10W | J | R1613 | QRE121J-152Y | C R | 1.5kΩ 1/2W | J |
| R1309 | NRSA02J-103X | CH MG R | 10kΩ 1/10W | J | R1614 | QRE121J-332Y | C R | 3.3kΩ 1/2W | J |
| R1311 | NRSA02J-273X | CH MG R | 27kΩ 1/10W | J | R1615 | NRSA02J-103X | CH MG R | 10kΩ 1/10W | J |
| R1312 | NRSA02J-0ROX | CH MG R | 0.0Ω 1/10W | J | R1616 | NRSA02J-103X | CH MG R | 10kΩ 1/10W | J |
| R1314 | NRSA02J-0ROX | CH MG R | 0.0Ω 1/10W | J | R1617 | NRSA02J-103X | CH MG R | 10kΩ 1/10W | J |
| R1341 | NRSA02J-121X | CH MG R | 120Ω 1/10W | J | R1618 | NRSA02J-103X | CH MG R | 10kΩ 1/10W | J |
| R1342 | NRSA02J-333X | CH MG R | 33kΩ 1/10W | J | R1619 | NRSA02J-221X | CH MG R | 220Ω 1/10W | J |
| R1343 | NRSA02J-333X | CH MG R | 33kΩ 1/10W | J | R1651 | NRSA02J-102X | CH MG R | 1kΩ 1/10W | J |
| R1351 | NRSA02J-151X | CH MG R | 150Ω 1/10W | J | R1653 | QRE121J-181Y | C R | 180Ω 1/2W | J |
| R1352 | NRSA02J-151X | CH MG R | 150Ω 1/10W | J | R1654 | NRSA02J-821X | CH MG R | 820Ω 1/10W | J |
| R1353 | NRSA02J-151X | CH MG R | 150Ω 1/10W | J | R1655 | NRSA02J-472X | CH MG R | 4.7kΩ 1/10W | J |
| R1354 | NRSA02J-331X | CH MG R | 330Ω 1/10W | J | R1656 | NRSA02J-102X | CH MG R | 1kΩ 1/10W | J |
| R1355 | NRSA02J-331X | CH MG R | 330Ω 1/10W | J | R1701 | NRSA02J-563X | CH MG R | 56kΩ 1/10W | J |
| R1356 | NRSA02J-331X | CH MG R | 330Ω 1/10W | J | R1702 | NRSA02J-223X | CH MG R | 22kΩ 1/10W | J |
| R1357 | NRSA02J-101X | CH MG R | 100Ω 1/10W | J | R1703 | NRSA02J-0ROX | CH MG R | 0.0Ω 1/10W | J |
| R1358 | NRSA02J-101X | CH MG R | 100Ω 1/10W | J | R1704 | NRSA02J-103X | CH MG R | 10kΩ 1/10W | J |
| R1359 | NRSA02J-101X | CH MG R | 100Ω 1/10W | J | R1705 | NRSA02J-102X | CH MG R | 1kΩ 1/10W | J |
| R1360 | QRZ0107-152Z | C R | 1.5kΩ 1/2W | K | R1706 | NRSA02J-823X | CH MG R | 82kΩ 1/10W | J |
| R1361 | QRZ0107-152Z | C R | 1.5kΩ 1/2W | K | R1707 | NRSA02J-103X | CH MG R | 10kΩ 1/10W | J |
| R1362 | QRZ0107-152Z | C R | 1.5kΩ 1/2W | K | R1708 | NRSA02J-0ROX | CH MG R | 0.0Ω 1/10W | J |
| R1363 | QRL029J-123 | OM R | 12kΩ 2W | J | R1709 | NRSA02J-103X | CH MG R | 10kΩ 1/10W | J |
| R1364 | QRL029J-123 | OM R | 12kΩ 2W | J | R1710 | NRSA02J-102X | CH MG R | 1kΩ 1/10W | J |
| R1365 | QRL029J-123 | OM R | 12kΩ 2W | J | R1711 | NRSA02J-103X | CH MG R | 10kΩ 1/10W | J |
| R1366 | NRSA02J-272X | CH MG R | 2.7kΩ 1/10W | J | R1712 | NRSA02J-0ROX | CH MG R | 0.0Ω 1/10W | J |
| R1367 | NRSA02J-272X | CH MG R | 2.7kΩ 1/10W | J | R1713 | NRSA02J-103X | CH MG R | 10kΩ 1/10W | J |

| Symbol No. | Part No. | Part Name | Description | Local |
|-----------------|--------------|-----------|---------------|-------|
| RESISTOR | | | | |
| R1714 | NRSA02J-0R0X | CH MG R | 0.0Ω 1/10W J | |
| R1715 | NRSA02J-472X | CH MG R | 4.7kΩ 1/10W J | |
| R1716 | NRSA02J-0R0X | CH MG R | 0.0Ω 1/10W J | |
| R1717 | NRSA02J-472X | CH MG R | 4.7kΩ 1/10W J | |
| R1718 | NRSA02J-0R0X | CH MG R | 0.0Ω 1/10W J | |
| R1719 | NRSA02J-473X | CH MG R | 47kΩ 1/10W J | |
| R1720 | NRSA02J-683X | CH MG R | 68kΩ 1/10W J | |
| R1721 | NRSA02J-473X | CH MG R | 47kΩ 1/10W J | |
| R1722 | NRSA02J-103X | CH MG R | 10kΩ 1/10W J | |
| R1723 | NRSA02J-183X | CH MG R | 18kΩ 1/10W J | |
| R1724 | NRSA02J-103X | CH MG R | 10kΩ 1/10W J | |
| R1725 | NRSA02J-102X | CH MG R | 1kΩ 1/10W J | |
| R1726 | NRSA02J-0R0X | CH MG R | 0.0Ω 1/10W J | |
| R1727 | NRSA02J-103X | CH MG R | 10kΩ 1/10W J | |
| R1728 | NRSA02J-102X | CH MG R | 1kΩ 1/10W J | |
| R1729 | NRSA02J-105X | CH MG R | 1MΩ 1/10W J | |
| R1732 | NRSA02J-102X | CH MG R | 1kΩ 1/10W J | |
| R1733 | NRSA02J-333X | CH MG R | 33kΩ 1/10W J | |
| R1734 | NRSA02J-102X | CH MG R | 1kΩ 1/10W J | |
| R1735 | NRSA02J-102X | CH MG R | 1kΩ 1/10W J | |
| R1736 | NRSA02J-124X | CH MG R | 120kΩ 1/10W J | |
| R1737 | NRSA02J-184X | CH MG R | 180kΩ 1/10W J | |
| R1738 | NRSA02J-102X | CH MG R | 1kΩ 1/10W J | |
| R1740 | NRSA02J-472X | CH MG R | 4.7kΩ 1/10W J | |
| R1741 | NRSA02J-102X | CH MG R | 1kΩ 1/10W J | |
| R1742 | NRSA02J-472X | CH MG R | 4.7kΩ 1/10W J | |
| R1743 | NRSA02J-223X | CH MG R | 22kΩ 1/10W J | |
| R1744 | NRSA02J-103X | CH MG R | 10kΩ 1/10W J | |
| R1745 | NRSA02J-153X | CH MG R | 15kΩ 1/10W J | |
| R1746 | NRSA02J-103X | CH MG R | 10kΩ 1/10W J | |
| R1747 | NRSA02J-153X | CH MG R | 15kΩ 1/10W J | |
| R1748 | NRSA02J-103X | CH MG R | 10kΩ 1/10W J | |
| R1749 | NRSA02J-153X | CH MG R | 15kΩ 1/10W J | |
| R1750 | NRSA02J-561X | CH MG R | 560Ω 1/10W J | |
| R1751 | NRSA02J-561X | CH MG R | 560Ω 1/10W J | |
| R1752 | NRSA02J-103X | CH MG R | 10kΩ 1/10W J | |
| R1753 | NRSA02J-103X | CH MG R | 10kΩ 1/10W J | |
| R1754 | NRSA02J-562X | CH MG R | 5.6kΩ 1/10W J | |
| R1755 | NRSA02J-103X | CH MG R | 10kΩ 1/10W J | |
| R1756 | NRSA02J-103X | CH MG R | 10kΩ 1/10W J | |
| R1757 | NRSA02J-562X | CH MG R | 5.6kΩ 1/10W J | |
| R1758 | NRSA02J-223X | CH MG R | 22kΩ 1/10W J | |
| R1759 | NRSA02J-103X | CH MG R | 10kΩ 1/10W J | |
| R1765 | NRSA02J-122X | CH MG R | 1.2kΩ 1/10W J | |
| R1766 | NRSA02J-102X | CH MG R | 1kΩ 1/10W J | |
| R1771 | NRSA02J-221X | CH MG R | 220Ω 1/10W J | |
| R1772 | NRSA02J-221X | CH MG R | 220Ω 1/10W J | |
| R1781 | NRSA02J-681X | CH MG R | 680Ω 1/10W J | |
| R1782 | NRSA02J-681X | CH MG R | 680Ω 1/10W J | |
| R1783 | NRSA02J-221X | CH MG R | 220Ω 1/10W J | |
| R1784 | NRSA02J-221X | CH MG R | 220Ω 1/10W J | |
| R1801 | NRSA02J-221X | CH MG R | 220Ω 1/10W J | |
| R1802 | NRSA02J-221X | CH MG R | 220Ω 1/10W J | |
| R1803 | NRSA02J-221X | CH MG R | 220Ω 1/10W J | |
| R1811 | NRSA02J-0R0X | CH MG R | 0.0Ω 1/10W J | |
| R1812 | NRSA02J-0R0X | CH MG R | 0.0Ω 1/10W J | |
| R1813 | NRSA02J-0R0X | CH MG R | 0.0Ω 1/10W J | |
| R1815 | NRSA02J-0R0X | CH MG R | 0.0Ω 1/10W J | |
| R1816 | NRSA02J-103X | CH MG R | 10kΩ 1/10W J | |
| R1901 | QRF104K-3R9 | UNF R | 3.9Ω 10W K | |
| R1902 | QRL039J-393 | OM R | 39kΩ 3W J | |
| R1910 | QRE121J-564Y | C R | 560KΩ 1/2W J | |
| R1911 | QRE121J-183Y | C R | 18kΩ 1/2W J | |
| R1921 | QRE121J-681Y | C R | 680Ω 1/2W J | |
| R1922 | QRM059J-R22 | MP R | 0.22Ω 5W J | |
| R1923 | QRT029J-R39 | MF R | 039Ω 2W J | |
| R1924 | QRE121J-103Y | C R | 10kΩ 1/2W J | |
| R1925 | QRE121J-102Y | C R | 1kΩ 1/2W J | |
| R1926 | QRE121J-152Y | C R | 1.5kΩ 1/2W J | |
| R1929 | QRE121J-332Y | C R | 3.3kΩ 1/2W J | |
| R1932 | QRE121J-4R7Y | C R | 4.7Ω 1/2W J | |
| R1942 | NRSA02J-223X | CH MG R | 22kΩ 1/10W J | |
| R1943 | QRE121J-152Y | C R | 1.5kΩ 1/2W J | |
| R1944 | NRSA02J-103X | CH MG R | 10kΩ 1/10W J | |
| R1945 | NRSA02J-332X | CH MG R | 3.3kΩ 1/10W J | |

| Symbol No. | Part No. | Part Name | Description | Local |
|------------------|--------------|-----------|---------------|-------|
| RESISTOR | | | | |
| R1946 | NRSA02J-123X | CH MG R | 12kΩ 1/10W J | |
| R1947 | QRE121J-470Y | C R | 47Ω 1/2W J | |
| R1948 | NRSA02J-152X | CH MG R | 1.5kΩ 1/10W J | |
| R1949 | NRSA02J-153X | CH MG R | 15kΩ 1/10W J | |
| R1950 | NRSA02J-103X | CH MG R | 10kΩ 1/10W J | |
| R1951 | NRSA02J-332X | CH MG R | 3.3kΩ 1/10W J | |
| R1952 | NRSA02J-472X | CH MG R | 4.7kΩ 1/10W J | |
| R1959 | NRSA02J-0R0X | CH MG R | 0.0Ω 1/10W J | |
| R1961 | QRT029J-1R8 | MF R | 1.8Ω 2W J | |
| R1962 | QRT029J-1R8 | MF R | 1.8Ω 2W J | |
| R1964 | QRE121J-272Y | C R | 2.7kΩ 1/2W J | |
| R1965 | QRE121J-473Y | C R | 47kΩ 1/2W J | |
| R1966 | NRSA02J-223X | CH MG R | 22kΩ 1/10W J | |
| R1981 | QRZ0057-825 | C R | 8.2MΩ 1W J | |
| CAPACITOR | | | | |
| C1001 | QETN1HM-106Z | E CAP. | 10μF 50V M | |
| C1007 | QETN1CM-477Z | E CAP. | 470μF 16V M | |
| C1008 | QETN1EM-476Z | E CAP. | 47μF 25V M | |
| C1009 | QETN1EM-476Z | E CAP. | 47μF 25V M | |
| C1011 | NCB21HK-103X | CH C CAP. | 0.01μF 50V K | |
| C1101 | NCB21HK-103X | CH C CAP. | 0.01μF 50V K | |
| C1102 | NCB21HK-103X | CH C CAP. | 0.01μF 50V K | |
| C1103 | NDC21HJ-680X | CH C CAP. | 68pF 50V J | |
| C1104 | NCB21HK-103X | CH C CAP. | 0.01μF 50V K | |
| C1105 | NCB21HK-103X | CH C CAP. | 0.01μF 50V K | |
| C1111 | QETN1EM-476Z | E CAP. | 47μF 25V M | |
| C1112 | NCB21HK-103X | CH C CAP. | 0.01μF 50V K | |
| C1113 | NCB21HK-103X | CH C CAP. | 0.01μF 50V K | |
| C1114 | NCB21HK-103X | CH C CAP. | 0.01μF 50V K | |
| C1116 | QFV71HJ-224Z | TF CAP. | 0.22μF 50V J | |
| C1117 | QETN1EM-476Z | E CAP. | 47μF 25V M | |
| C1118 | NCB21HK-103X | CH C CAP. | 0.01μF 50V K | |
| C1119 | NDC21HJ-681X | CH C CAP. | 680pF 50V J | |
| C1120 | QETN1HM-225Z | E CAP. | 2.2μF 50V M | |
| C1123 | NCB21HK-103X | CH C CAP. | 0.01μF 50V K | |
| C1124 | NCB21HK-103X | CH C CAP. | 0.01μF 50V K | |
| C1161 | QETN1HM-106Z | E CAP. | 10μF 50V M | |
| C1162 | NCB21HK-333X | CH C CAP. | 0.033μF 50V K | |
| C1163 | NDC21HJ-470X | CH C CAP. | 47pF 50V J | |
| C1164 | NDC21HJ-470X | CH C CAP. | 47pF 50V J | |
| C1165 | NCB21HK-103X | CH C CAP. | 0.01μF 50V K | |
| C1166 | NCB21HK-103X | CH C CAP. | 0.01μF 50V K | |
| C1202 | QETN1CM-107Z | E CAP. | 100μF 16V M | |
| C1207 | NCB21HK-104X | CH C CAP. | 0.1μF 50V K | |
| C1208 | QETN1HM-475Z | E CAP. | 4.7μF 50V M | |
| C1209 | QETN1CM-227Z | E CAP. | 220μF 16V M | |
| C1210 | NCB21HK-103X | CH C CAP. | 0.01μF 50V K | |
| C1211 | NDC21HJ-681X | CH C CAP. | 680pF 50V J | |
| C1212 | NCB21HK-104X | CH C CAP. | 0.1μF 50V K | |
| C1213 | QETN1HM-105Z | E CAP. | 1μF 50V M | |
| C1214 | NCB21HK-104X | CH C CAP. | 0.1μF 50V K | |
| C1215 | QETN1HM-106Z | E CAP. | 10μF 50V M | |
| C1251 | QETN1HM-106Z | E CAP. | 10μF 50V M | |
| C1252 | QETN1HM-106Z | E CAP. | 10μF 50V M | |
| C1254 | QETN1CM-477Z | E CAP. | 470μF 16V M | |
| C1256 | QETN1CM-107Z | E CAP. | 100μF 16V M | |
| C1258 | QETN1CM-227Z | E CAP. | 220μF 16V M | |
| C1291 | QETN1CM-107Z | E CAP. | 100μF 16V M | |
| C1292 | QETN1CM-107Z | E CAP. | 100μF 16V M | |
| C1294 | QETN1CM-107Z | E CAP. | 100μF 16V M | |
| C1296 | QETN1CM-107Z | E CAP. | 100μF 16V M | |
| C1301 | NDC21HJ-150X | CH C CAP. | 15pF 50V J | |
| C1302 | NDC21HJ-150X | CH C CAP. | 15pF 50V J | |
| C1303 | NDC21HJ-120X | CH C CAP. | 12pF 50V J | |
| C1304 | NCB21HK-103X | CH C CAP. | 0.01μF 50V K | |
| C1305 | NDC21HJ-120X | CH C CAP. | 12pF 50V J | |
| C1306 | QETN1EM-476Z | E CAP. | 47μF 25V M | |
| C1307 | NCB21HK-103X | CH C CAP. | 0.01μF 50V K | |
| C1308 | NCB21HK-104X | CH C CAP. | 0.1μF 50V K | |
| C1309 | NCB21HK-104X | CH C CAP. | 0.1μF 50V K | |
| C1311 | QETN1HM-225Z | E CAP. | 2.2μF 50V M | |
| C1312 | NCB21HK-103X | CH C CAP. | 0.01μF 50V K | |
| C1313 | QETN1HM-475Z | E CAP. | 4.7μF 50V M | |

| Symbol No. | Part No. | Part Name | Description | Local |
|------------------|--------------|-----------|-------------------|-------|
| CAPACITOR | | | | |
| C1342 | QETN1HM-335Z | E CAP. | 3.3μF 50V | M |
| C1354 | NDC21HJ-271X | CH C CAP. | 270pF 50V | J |
| C1355 | NDC21HJ-271X | CH C CAP. | 270pF 50V | J |
| C1356 | NDC21HJ-331X | CH C CAP. | 330pF 50V | J |
| C1357 | QETN1CM-107Z | E CAP. | 100μF 16V | M |
| C1382 | QCZ0121-102 | C CAP. | 1000pF 3kV | Z |
| C1401 | QETN1HM-105Z | E CAP. | 1μF 50V | M |
| C1402 | QETN1HM-105Z | E CAP. | 1μF 50V | M |
| C1403 | QEM61EK-225Z | E CAP. | 2.2μF 25V | K |
| C1405 | QFV71HJ-104Z | TF CAP. | 0.1μF 50V | J |
| C1406 | QFLC1HJ-103Z | M CAP. | 0.01μF 50V | J |
| C1410 | QETN1VM-107Z | E CAP. | 100μF 35V | M |
| C1411 | QETN1VM-477Z | E CAP. | 470μF 35V | M |
| C1412 | QFLC2AJ-563Z | M CAP. | 0.056μF 100V | J |
| C1413 | QETN1EM-108Z | E CAP. | 1000pF 25V | M |
| C1414 | QETN1HM-105Z | E CAP. | 1μF 50V | M |
| C1415 | QFLC1HJ-152Z | M CAP. | 1500pF 50V | J |
| C1416 | NDC21HJ-681X | CH C CAP. | 680pF 50V | J |
| C1501 | QETN1CM-107Z | E CAP. | 100μF 16V | M |
| C1503 | NCB21HK-103X | CH C CAP. | 0.01μF 50V | K |
| C1505 | NCB21HK-103X | CH C CAP. | 0.01μF 50V | K |
| C1506 | NCB21HK-103X | CH C CAP. | 0.01μF 50V | K |
| C1507 | QETN1HM-105Z | E CAP. | 1μF 50V | M |
| C1511 | QETN1HM-106Z | E CAP. | 10μF 50V | M |
| C1521 | QCB32HK-151Z | C CAP. | 150pF 500V | K |
| C1522 | QCB32HK-331Z | C CAP. | 330pF 500V | K |
| C1523 | QETN2CM-105Z | E. CAP | 1μF 160V | M |
| C1524 | QFZ0198-78Z | MPP CAP. | 7800pF 1.5kVH ±3% | |
| C1525 | QFZ0119-434 | MPP CAP. | 0.43μF 200V ±3% | |
| C1526 | QEZO203-476 | E CAP. | 47μF 160V | M |
| C1541 | QETN2EM-106Z | E CAP. | 10μF 250V | M |
| C1543 | QETN1VM-477Z | E CAP. | 470μF 35V | M |
| C1546 | QETN1CM-227Z | E CAP. | 220μF 16V | M |
| C1547 | QETN1CM-227Z | E CAP. | 220μF 16V | M |
| C1561 | QETN1VM-107Z | E CAP. | 100μF 35V | M |
| C1581 | QFLC1HJ-473Z | M CAP. | 0.047μF 50V | J |
| C1583 | QFV71HJ-104Z | TF CAP. | 0.1μF 50V | J |
| C1584 | QFLC2AJ-103Z | M CAP. | 0.01μF 100V | J |
| C1601 | QENC1HM-105Z | BP E CAP. | 1μF 50V | M |
| C1603 | QETN1HM-106Z | E CAP. | 10μF 50V | M |
| C1604 | QETN1HM-106Z | E CAP. | 10μF 50V | M |
| C1605 | QETN1EM-477Z | E CAP. | 470μF 25V | M |
| C1606 | NCB21EK-224X | CH C CAP. | 0.22μF 25V | K |
| C1607 | QETN1EM-228 | E CAP. | 2200μF 25V | M |
| C1608 | QETN1EM-476Z | E CAP. | 47μF 25V | M |
| C1609 | QETN1HM-106Z | E CAP. | 10μF 50V | M |
| C1610 | QETN1HM-106Z | E CAP. | 10μF 50V | M |
| C1611 | NCB21EK-224X | CH C CAP. | 0.22μF 25V | K |
| C1612 | QETN1HM-105Z | E CAP. | 1μF 50V | M |
| C1613 | QETN1EM-107Z | E CAP. | 100μF 25V | M |
| C1614 | QETN1HM-106Z | E CAP. | 10μF 50V | M |
| C1615 | QETN1HM-226Z | E CAP. | 22μF 50V | M |
| C1651 | NCB21HK-332X | CH C CAP. | 3300pF 50V | K |
| C1652 | QENC1CM-106Z | BP E CAP. | 10μF 16V | M |
| C1653 | QETN1HM-105Z | E CAP. | 1μF 50V | M |
| C1654 | QETN1HM-106Z | E CAP. | 10μF 50V | M |
| C1655 | QETN1CM-107Z | E CAP. | 100μF 16V | M |
| C1656 | NCB21HK-332X | CH C CAP. | 3300pF 50V | K |
| C1657 | QETN1HM-106Z | E CAP. | 10μF 50V | M |
| C1701 | NRSA02J-OROX | CH MG R | 0.0Ω 1/10W | J |
| C1703 | NRSA02J-OROX | CH MG R | 0.0Ω 1/10W | J |
| C1704 | NCB21HK-102X | CH C CAP. | 1000pF 50V | K |
| C1706 | QETN1AM-227Z | E CAP. | 220μF 10V | M |
| C1707 | NCB21HK-103X | CH C CAP. | 0.01μF 50V | K |
| C1708 | QETN1HM-106Z | E CAP. | 10μF 50V | M |
| C1709 | QETN1HM-106Z | E CAP. | 10μF 50V | M |
| C1711 | NDC21HJ-151X | CH C CAP. | 150pF 50V | J |
| C1712 | NCB21HK-104X | CH C CAP. | 0.1μF 50V | K |
| C1713 | QETN1HM-105Z | E CAP. | 1μF 50V | M |
| C1714 | NDC21HJ-221X | CH C CAP. | 220pF 50V | J |
| C1715 | NCB21HK-102X | CH C CAP. | 1000pF 50V | K |
| C1716 | QENC1HM-474Z | BP E CAP. | 0.47μF 50V | M |
| C1717 | NDC21HJ-180X | CH C CAP. | 18pF 50V | J |
| C1718 | NDC21HJ-220X | CH C CAP. | 22pF 50V | J |
| C1719 | QETN1CM-107Z | E CAP. | 100μF 16V | M |

| Symbol No. | Part No. | Part Name | Description | Local |
|--------------------|---------------|-------------------|---------------|-------|
| CAPACITOR | | | | |
| C1720 | NCB21HK-104X | CH C CAP. | 0.1μF 50V | K |
| C1723 | NDC21HJ-151X | CH C CAP. | 150pF 50V | J |
| C1724 | QETN1HM-105Z | E CAP. | 1μF 50V | M |
| C1725 | NDC21HJ-151X | CH C CAP. | 150pF 50V | J |
| C1727 | NCB21HK-103X | CH C CAP. | 0.01μF 50V | K |
| C1733 | QETN1EM-476Z | E CAP. | 47μF 25V | M |
| C1734 | NCB21HK-104X | CH C CAP. | 0.1μF 50V | K |
| C1735 | NCB21HK-103X | CH C CAP. | 0.01μF 50V | K |
| C1736 | QETN1CM-107Z | E CAP. | 100μF 16V | M |
| C1738 | QETN1EM-476Z | E CAP. | 47μF 25V | M |
| C1742 | QETN1HM-225Z | E CAP. | 2.2μF 50V | M |
| C1765 | NDC21HJ-101X | CH C CAP. | 100pF 50V | J |
| C1771 | QETN1EM-476Z | E CAP. | 47μF 25V | M |
| C1772 | NCB21HK-103X | CH C CAP. | 0.01μF 50V | K |
| C1805 | QETN1CM-227Z | E CAP. | 220μF 16V | M |
| C1806 | NCB21HK-103X | CH C CAP. | 0.01μF 50V | K |
| C1811 | NCB21HK-103X | CH C CAP. | 0.01μF 50V | K |
| C1812 | NCB21HK-103X | CH C CAP. | 0.01μF 50V | K |
| C1813 | NCB21HK-103X | CH C CAP. | 0.01μF 50V | K |
| △ C1901 | QFZ9040-104 | MF CAP. | 0.1μF AC275V | M |
| △ C1902 | QFZ9040-104 | MF CAP. | 0.1μF AC275V | M |
| C1903 | QCZ9086-47Z | C CAP. | 4700pF AC400V | P |
| C1904 | QCZ9086-47Z | C CAP. | 4700pF AC400V | P |
| C1905 | QCZ9086-47Z | C CAP. | 4700pF AC400V | P |
| C1906 | QEZO199-127 | E CAP. | 120μF 400V | M |
| C1921 | QCZ0325-102 | C CAP. | 1000pF 2kV | K |
| C1922 | QCS31HJ-471Z | C CAP. | 470pF 50V | J |
| C1924 | QETN1VM-107Z | E CAP. | 100μF 35V | M |
| C1925 | QFLC1HJ-102Z | M CAP. | 1000pF 50V | J |
| C1926 | QFLC1HJ-182Z | M CAP. | 1800pF 50V | J |
| C1928 | QFV71HJ-104Z | TF CAP. | 0.1μF 50V | J |
| C1931 | QCZO122-391 | C CAP. | 390pF 2kV | K |
| C1941 | QCZO122-471 | C CAP. | 470pF 2kV | K |
| C1942 | QEZO203-107 | E CAP. | 100μF 160V | M |
| C1943 | QCB32HK-471Z | C CAP. | 470pF 500V | K |
| C1944 | QETN1EM-108Z | E CAP. | 1000μF 25V | M |
| C1945 | QETN1EM-227Z | E CAP. | 220μF 25V | M |
| C1946 | QETN1EM-107Z | E CAP. | 100μF 25V | M |
| C1947 | QETN1HM-106Z | E CAP. | 10μF 50V | M |
| C1952 | QETN1EM-228 | E CAP. | 2200μF 25V | M |
| C1953 | QCZO122-471 | C CAP. | 470pF 2kV | K |
| C1957 | NDC21HJ-471X | CH C CAP. | 470pF 50V | J |
| C1961 | QETN1CM-107Z | E CAP. | 100μF 16V | M |
| C1962 | QETN1EM-476Z | E CAP. | 47μF 25V | M |
| △ C1981 | QCZ9079-471 | C CAP. | 470pF AC250V | K |
| △ C1982 | QCZ9079-102 | C CAP. | 1000pF AC250V | K |
| △ C1983 | QCZ9079-471 | C CAP. | 470pF AC250V | K |
| C1984 | QETN1VM-337Z | E CAP. | 330μF 35V | M |
| TRANSFORMER | | | | |
| T1111 | CEL001-209J3 | CW TRANSF. | | |
| T1521 | CE42034-001 | HOR DRIVE TRANSF. | | |
| △ T1921 | CETS109-001JK | SW TRANSF. | | |
| COIL | | | | |
| L1001 | QQL03BJ-150Z | COIL | 15μH | J |
| L1003 | QQL03BJ-4R7Z | COIL | 4.7μH | J |
| L1101 | QQLZ014-R22 | COIL | 0.22μH | J |
| L1131 | QQL03BJ-150Z | COIL | 15μH | J |
| L1161 | QQL03BJ-220Z | COIL | 22μH | J |
| L1205 | QQL03BJ-4R7Z | COIL | 4.7μH | J |
| L1301 | QQL03BJ-390Z | COIL | 39μH | J |
| L1381 | QQL03BJ-390Z | COIL | 39μH | J |
| L1501 | QQL03BJ-4R7Z | COIL | 4.7μH | J |
| L1701 | QQL03BJ-4R7Z | COIL | 4.7μH | J |
| L1702 | QQL03BJ-4R7Z | COIL | 4.7μH | J |
| L1708 | QQL03BJ-560Z | COIL | 56μH | J |
| L1771 | QQL03BJ-4R7Z | COIL | 4.7μH | J |
| L1941 | QQL26AK-820Z | CHOKE COIL | 82μH | K |
| L1942 | QQL26AK-820Z | CHOKE COIL | 82μH | K |
| D1001 | MTZJ33A-T2 | ZENER DIODE | | |
| D1201 | 1SS133-T2 | SI DIODE | | |

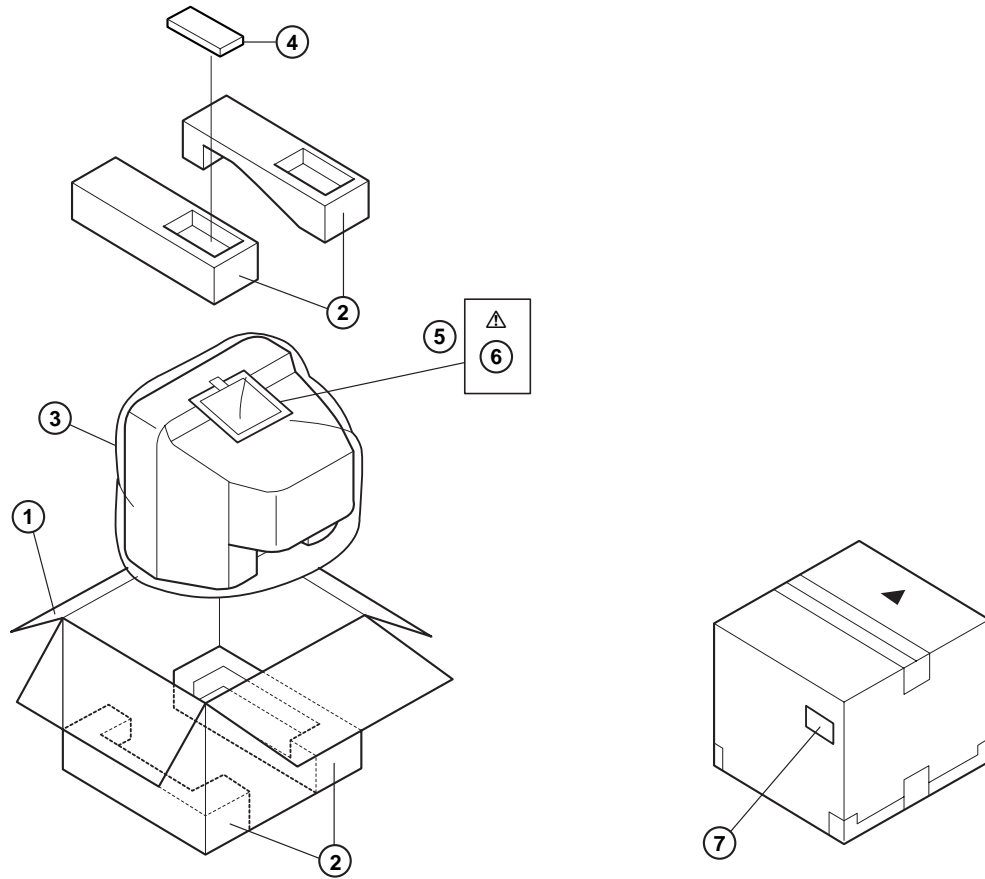
| Symbol No. | Part No. | Part Name | Description | Local |
|-------------------|----------------|------------------|-------------|-------|
| DIODE | | | | |
| D1202 | MTZJ7.5B-T2 | ZENER DIODE | | |
| D1253 | MTZJ5.6A-T2 | ZENER DIODE | | |
| D1254 | MTZJ5.6A-T2 | ZENER DIODE | | |
| D1255 | MTZJ5.6A-T2 | ZENER DIODE | | |
| D1256 | MTZJ5.6A-T2 | ZENER DIODE | | |
| D1341 | 1SS133-T2 | SI DIODE | | |
| D1401 | 1N4003-T2 | SI DIODE | | |
| D1402 | MTZJ75-T2 | ZENER DIODE | | |
| D1510 | 1SS133-T2 | SI DIODE | | |
| D1541 | RH1S-T3 | SI DIODE | | |
| D1542 | RGP10J-5025-T3 | SI DIODE | | |
| D1543 | RGP10J-5025-T3 | SI DIODE | | |
| D1544 | RH1S-T3 | SI DIODE | | |
| D1561 | 1SS81-T2 | SI DIODE | | |
| D1562 | MTZJ7.55-T2 | ZENER DIODE | | |
| D1581 | RGP10J-5025-T3 | SI DIODE | | |
| D1582 | MTZJ9.1B-T2 | ZENER DIODE | | |
| D1601 | 1SS133-T2 | SI DIODE | | |
| D1602 | 1SS133-T2 | SI DIODE | | |
| D1604 | MTZJ7.5B-T2 | ZENER DIODE | | |
| D1605 | 1SS133-T2 | SI DIODE | | |
| D1651 | MTZJ5.6A-T2 | ZENER DIODE | | |
| D1652 | MTZJ5.6A-T2 | ZENER DIODE | | |
| D1657 | MTZJ9.1C-T2 | ZENER DIODE | | |
| D1701 | 1SS133-T2 | SI DIODE | | |
| D1702 | 1SS133-T2 | SI DIODE | | |
| D1703 | 1SS133-T2 | SI DIODE | | |
| D1704 | 1SS133-T2 | SI DIODE | | |
| D1705 | MTZJ5.6A-T2 | ZENER DIODE | | |
| D1706 | SLR-342VR-T16 | LED (RED) | | |
| D1707 | SLR-342DU-T16 | LED (ORG) | | |
| D1771 | MTZJ6.2B-T2 | ZENER DIODE | | |
| D1772 | MTZJ6.2B-T2 | ZENER DIODE | | |
| D1801 | MTZJ15B-T2 | ZENER DIODE | | |
| D1802 | MTZJ15B-T2 | ZENER DIODE | | |
| D1803 | MTZJ15B-T2 | ZENER DIODE | | |
| D1805 | MTZJ15B-T2 | ZENER DIODE | | |
| D1901 | D2SBA60 | BRIDGE DIODE | | |
| D1903 | RGP10J-5025-T3 | SI DIODE | | |
| D1905 | MTZJ6.8A-T2 | ZENER DIODE | | |
| D1921 | RGP10J-5025-T3 | SI DIODE | | |
| D1922 | RGP10J-5025-T3 | SI DIODE | | |
| D1923 | MTZJ15A-T2 | ZENER DIODE | | |
| D1924 | 1SS133-T2 | SI DIODE | | |
| D1927 | 1SS133-T2 | SI DIODE | | |
| D1928 | 1SS133-T2 | SI DIODE | | |
| D1929 | MTZJ15A-T2 | ZENER DIODE | | |
| D1941 | RU3AM-LFC4 | SI DIODE | | |
| D1942 | RGP10J-5025-T3 | SI DIODE | | |
| D1943 | 1SS133-T2 | SI DIODE | | |
| D1945 | MTZJ5.6B-T2 | ZENER DIODE | | |
| D1948 | RGP10J-5025-T3 | SI DIODE | | |
| D1961 | MTZJ7.55-T2 | ZENER DIODE | | |
| D1962 | 1SS133-T2 | SI DIODE | | |
| TRANSISTOR | | | | |
| Q1101 | 2SC5083/L-P/-T | SI TRANSISTOR | | |
| Q1111 | DTC124EKA-X | DIGI TRANSISTOR | | |
| Q1131 | 2SC2412K/QR/-X | CHIP TRANSISTOR | | |
| Q1161 | 2SC2412K/QR/-X | CHIP TRANSISTOR | | |
| Q1201 | 2SC2412K/QR/-X | CHIP TRANSISTOR | | |
| Q1202 | 2SC2412K/QR/-X | CHIP TRANSISTOR | | |
| Q1251 | 2SC1740S/QR/-T | SI TRANSISTOR | | |
| Q1301 | 2SC2412K/QR/-X | CHIP TRANSISTOR | | |
| Q1302 | 2SC2412K/QR/-X | CHIP TRANSISTOR | | |
| Q1341 | 2SC2412K/QR/-X | CHIP TRANSISTOR | | |
| Q1342 | 2SC2412K/QR/-X | CHIP TRANSISTOR | | |
| Q1351 | 2SC4544-LB | POWER TRANSISTOR | | |
| Q1352 | 2SC4544-LB | POWER TRANSISTOR | | |
| Q1353 | 2SC4544-LB | POWER TRANSISTOR | | |
| Q1401 | 2SC2412K/QR/-X | CHIP TRANSISTOR | | |
| Q1511 | 2SC2785/JH/-T | SI TRANSISTOR | | |
| Q1521 | BSN304-T | TRANSISTOR | | |
| Q1522 | 2SD1878-YD | PW TRANSISTOR | H. OUT | |

| Symbol No. | Part No. | Part Name | Description | Local |
|---------------|-----------------|--------------------|-------------|--------|
| OTHERS | | | | |
| Q1602 | DTC323TK-X | DIGI TRANSISTOR | | |
| Q1603 | 2SA1037AK/QR/-X | SI TRANSISTOR | | |
| Q1606 | 2SA1037AK/QR/-X | SI TRANSISTOR | | |
| Q1607 | 2SC2412K/QR/-X | CHIP TRANSISTOR | | |
| Q1608 | 2SC2412K/QR/-X | CHIP TRANSISTOR | | |
| Q1651 | DTC363TK-X | DIGI TRANSISTOR | | |
| Q1701 | 2SC2412K/QR/-X | CHIP TRANSISTOR | | |
| Q1702 | 2SC2412K/QR/-X | CHIP TRANSISTOR | | |
| Q1703 | DTC124EKA-X | DIGI TRANSISTOR | | |
| Q1705 | DTC124EKA-X | DIGI TRANSISTOR | | |
| Q1761 | 2SC2412K/QR/-X | CHIP TRANSISTOR | | |
| Q1921 | 2SA933AS/QR/-T | SI TRANSISTOR | | |
| Q1941 | 2SA966/OY/-T | SI TRANSISTOR | | |
| Q1942 | 2SC2412K/QR/-X | CHIP TRANSISTOR | | |
| Q1943 | 2SC2412K/QR/-X | CHIP TRANSISTOR | | |
| Q1944 | 2SC2412K/QR/-X | CHIP TRANSISTOR | | |
| Q1961 | 2SA949/Y/Z1-T | SI TRANSISTOR | | |
| IC | | | | |
| IC1001 | AN78L05-T | IC (5V REG) | | |
| IC1101 | M52342SP | IC | | |
| IC1201 | TB1230AN | IC | | |
| IC1251 | BA7612N | IC | | |
| IC1291 | AN78N05 | IC (5V REG) | | |
| IC1292 | AN78L09-T | IC (9V REG) | | |
| IC1293 | KIA78L05BP-T | IC | | |
| IC1401 | LA7840 | IC | | |
| IC1541 | AN7809F | IC (9V REG) | | |
| IC1601 | LA4285 | IC | | |
| IC1602 | SI-5001X-X | IC | | |
| IC1651 | LA7016 | IC | | |
| IC1701 | M37272MA-0545P | IC (MICROCOMPUTER) | | |
| IC1702 | L78L05E-MA | IC (5V REG/RESET) | | |
| IC1703 | GPIU281Q | IC | | |
| IC1704 | AT24C02-21F3PX | IC (MEMORY) | (Service) | |
| IC1921 | STR-F6654 | SW REG IC | | |
| IC1941 | SE135N | IC | | |
| OTHERS | | | | |
| CF1001 | LC30114-001C-H | LED HOLDER | | |
| CF1131 | FTP47.25MF | CERAMIC TRAP | | |
| CF1161 | QAX0339-001 | CERAMIC TRAP | | |
| CF1941 | SFSH4.5MCB | CERAMIC FILTER | | |
| △ CP1941 | ICP-N75-Y | IC PROTECTOR | | |
| △ CP1942 | ICP-N50-Y | IC PROTECTOR | | |
| EF1301 | CE42142-222Z | EMI FILTER | | |
| △ F1901 | QMF51E2-3R15J4 | FUSE | 3.15A | |
| FC1901 | CEMG002-001Z | FUSE CLIP | | |
| FC1902 | CEMG002-001Z | FUSE CLIP | | |
| △ FR1542 | QRZ9023-1R0 | F R | 1.0Ω | 2W J |
| △ FR1561 | QRZ9017-4R7 | F R | 4.7Ω | 1/4W J |
| △ FR1585 | QRZ9021-1R5 | F R | 1.5Ω | 1W J |
| △ FR1586 | QRE121J-332Y | C R | 3.3kΩ | 1/2W J |
| △ FR1602 | QRZ9023-3R3 | F R | 3.3Ω | 2W J |
| △ FR1720 | QRZ9017-270 | F R | 27Ω | 1/4W J |
| J1001 | QNN0348-002 | PIN JACK | | |
| J1002 | QNN0348-002 | PIN JACK | | |
| J1003 | CEMN065-001 | PIN JACK | | |
| J1004 | CEMN065-002 | PIN JACK | | |
| J1006 | QMS3007-C01 | 3.5 JACK | | |
| K1401 | QQR0621-001Z | BEADS CORE | | |
| K1921 | QQR0621-001Z | BEADS CORE | | |
| K1923 | QQR0582-001Z | BEADS CORE | | |
| K1941 | QQR0621-001Z | BEADS CORE | | |
| K1942 | QQR0582-001Z | BEADS CORE | | |
| K1943 | QQR0621-001Z | BEADS CORE | | |
| △ LF1901 | QQR0673-002 | LINE FILTER | | |
| △ PC1921 | TLP621(GR)-LF2 | IC(PHOTO COUPLER) | | |
| S1701 | QSW0619-003Z | PUSH SWITCH | | VOL+ |
| S1702 | QSW0619-003Z | PUSH SWITCH | | VOL- |
| S1703 | QSW0619-003Z | PUSH SWITCH | | CH+ |
| S1704 | QSW0619-003Z | PUSH SWITCH | | CH- |

| △ Symbol No. | Part No. | Part Name | Description | Local |
|---------------|---------------|--------------|-------------|-------|
| OTHERS | | | | |
| S1705 | QSW0619-003Z | PUSH SWITCH | MENU | |
| △ S1901 | QSP4K21-C01 | PUSH SWITCH | POWER | |
| SF1101 | QAX0324-002 | SAW FILTER | | |
| △ SK1351 | CE42535-001J1 | CRT SOCKET | | |
| TH1901 | QAD0101-9R0 | P THERMISTOR | | |
| TU1001 | QAU0190-001 | TUNER | | |
| △ VA1901 | ERZV10V621CS | VARISTOR | | |
| X1301 | QAX0305-001Z | X TAL | | |
| X1701 | QAX0468-001Z | X TAL | | |

| △ Symbol No. | Part No. | Part Name | Description | Local |
|--------------|----------|-----------|-------------|-------|
|--------------|----------|-----------|-------------|-------|

PACKING



PACKING PARTS LIST

| △ Ref.No. | Part No. | Part Name | Description | Local |
|-----------|----------------|------------------|-----------------|-------|
| 1 | GG10057-003A | PACKING CASE | | |
| 2 | LC10469-005A | CUSHION ASSY | 4 pcs. in 1 set | |
| 3 | CP30967-003-H | POLY BAG | | |
| 4 | RM-C372-1H | REMOCON UNIT | | |
| 5 | CP30966-001-H | POLY BAG | | |
| △ 6 | LCT0808-001A-H | INST BOOK | | |
| 7 | CP30902-042(R) | POS/SERIAL LABEL | | |

REMOTE CONTROL UNIT PARTS LIST (RM-C372-1H)

| △ Ref.No. | Part No. | Part Name | Description | Local |
|-----------|----------------|---------------|-------------|-------|
| | 3139 224 20073 | BATTERY COVER | | |